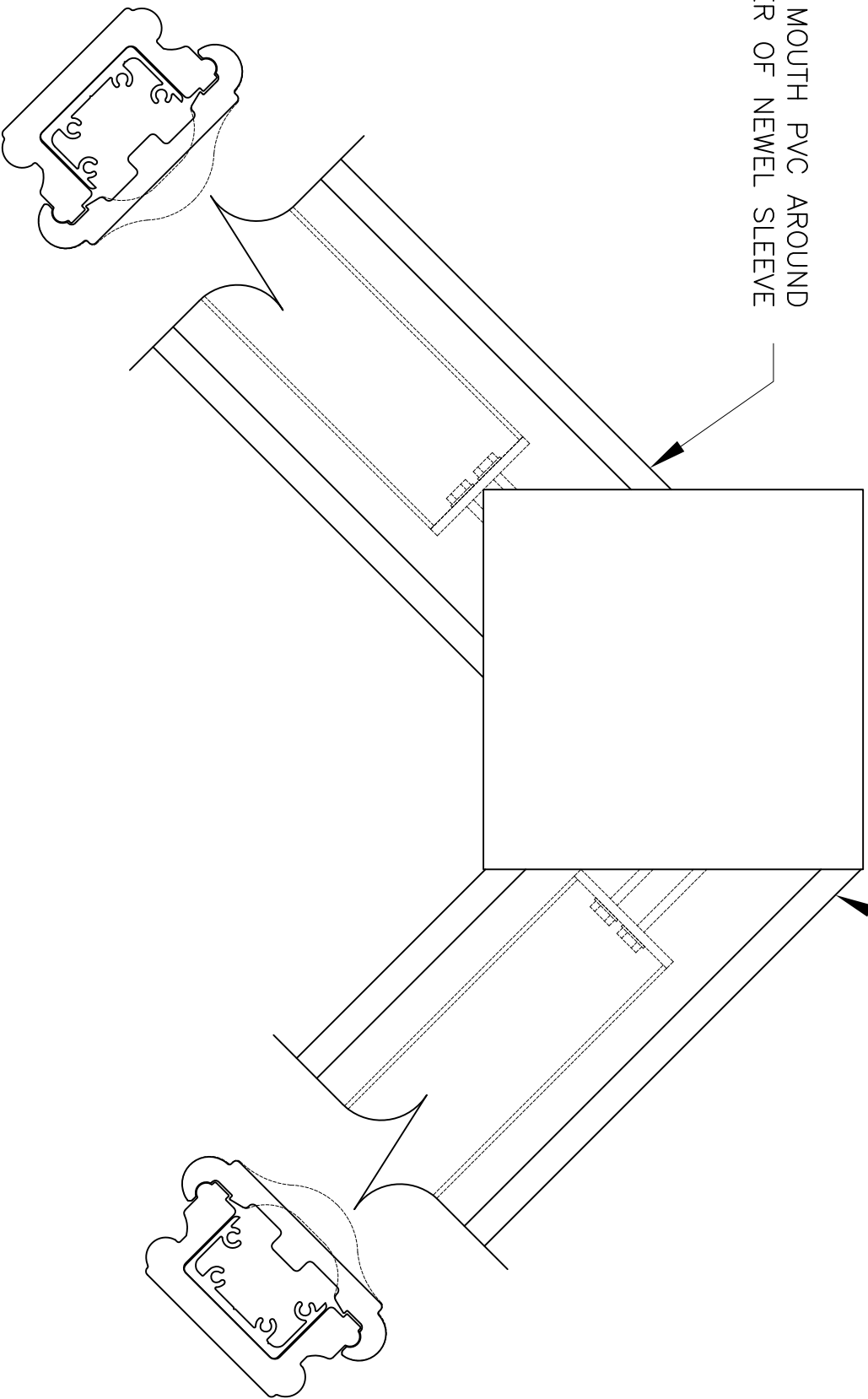


BIRD'S MOUTH PVC AROUND  
CORNER OF NEWEL SLEEVE

CUT PVC TO MATCH NEWEL SLEEVE



Approved by \_\_\_\_\_ Date \_\_\_\_\_

Drawn By: M HAZUDA

Date: 06-05-14

Reference  
Quote # XX

Revision: XX

Customer: XX

Description: **Mounting Rail at 45° Angle to Square Newel**



Legal Disclaimer: This drawing and any attachments are the sole property of Intex Milwork Solutions, LLC and are provided for the purpose of description and approval for quoted products. Any unauthorized use may result in legal action to the extent of the applicable laws.

20 Bogden Blvd.  
Millville, NJ 08332  
Phone 856-293-4100  
Fax 856-293-4102