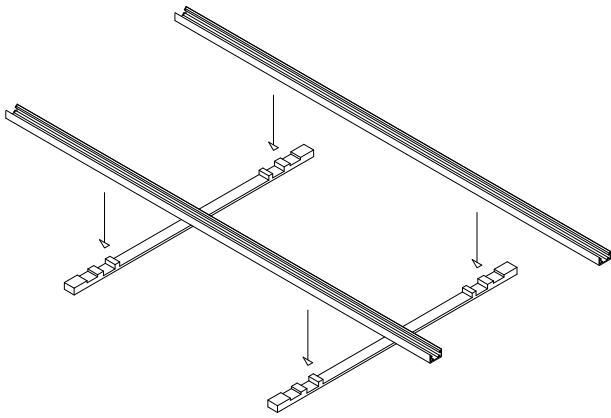
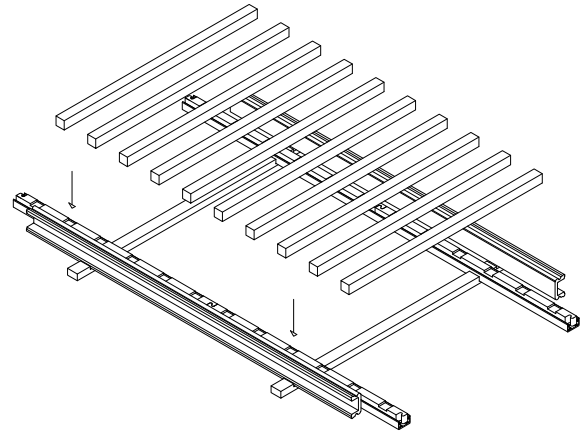


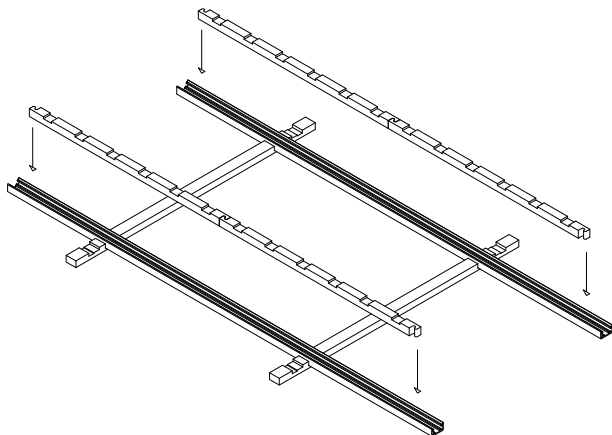
Assembly Jig Setup Guide



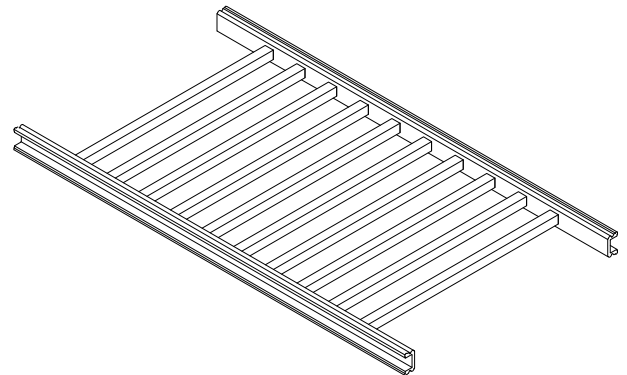
1. Using saw horses or other flat work surface, lay out the routed guide boards in parallel. Take the aluminum reinforcement lengths and lay them in the appropriate channels as shown. Note that channels are included for both 36" and 42" rail height.



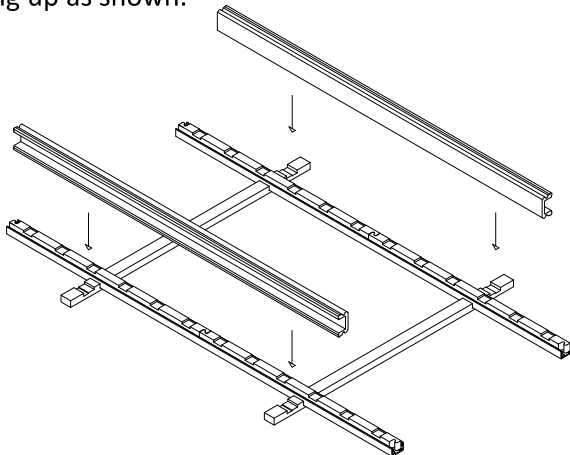
4. Determine the appropriate centering for the common rail sections, secure them in these positions, and begin laying balusters in the baluster guides as shown.



2. Locate the Baluster spacing jigs and press them together using the connectors on the end. They should fit together snugly. Then place them within the gap of the aluminum reinforcements with the routed pockets facing up as shown.



5. With the balusters in position, begin screwing the balusters and common rail sections together as described in the Installation Instructions.



3. Lay the common rail sections on their sides in the outer routed pockets as shown.

6. Continue until finished securing. Completed common rail / baluster assembly can then be removed and installed, and the Assembly Jig can be reused if necessary.